

MOBILE WIRING BENCHES FOR 1 OR 2 OPERATORS

All these wiring benches mobile thanks to 4 casters two of them with brakes, allow making wiring on removable supports with no testing option.

- Take grids or any other support of maximum dimensions 800 x 750mm.
- High temperature stratified top of 750 x 670 mm.
- Dimensions of the bench: 750 x 670 x 1965mm

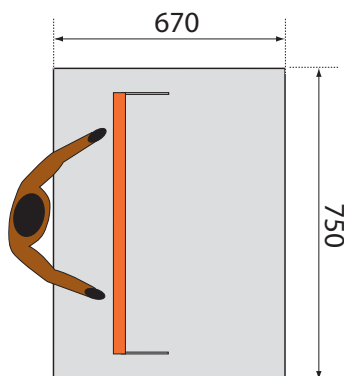
SUPPLIED WITHOUT GRID



Model for 1 operator

REF. ● MBO-1

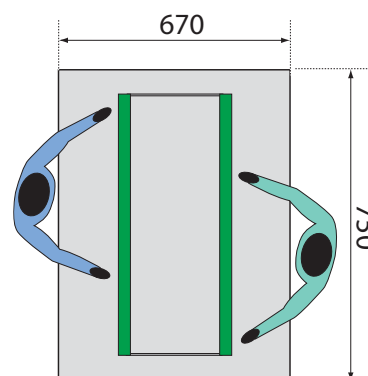
REF. ● MBV-1



Model for 2 operators

REF. ● MBO-2

REF. ● MBV-2



POWER CONSOLE FOR WIRING SOLUTIONS

ECONOMICAL SINGLE-PHASE CONSOLE



Horizontal console (wired), ready to be connected to the mains with:

- A 24VAC output insulated from the mains with LED indicator lamp, 100VA, protected by its own circuit breaker and start/stop button
- Two power sockets 230V with LED indicator lamp
- An emergency stop with key + an On/Off button
- Total length 750mm
- Drilling on the back side for fastening on grid holder frame (ref. CSO/CSV)
- Only available in grey colour
- Steel sheet case, PVC front panel

ref. PUG-1

BASIC MAINS CONNECTION BOX



- 3 sockets 230V
- Emergency stop
- Circuit breaker
- Delivered with 10 meters of wire 3 x 2.5 mm²

ref. HT-3PC

ECONOMICAL SINGLE-PHASE VERTICAL CONSOLE

- Power console double sides.
- Equipment of each side :
 - 1 16A thermal magnetic circuit breaker
 - 1 Emergency stop button
 - 1 Pushbutton + ON indicator light
 - 1 Mains output 230V+E on 4-mm safety terminals
 - 2 Mains sockets 2P+E 230VAC
- Dimensions : 500 x 130 x 100mm

ref. PUP-PCA



MOBILE POWER SUPPLY UNIT

- 1 Emergency Push Button
- 1 360° light signal tower, 2 colors (voltage presence and ON)
- 1 16A thermal magnetic circuit breaker
- 1 ON / OFF push button with indicator light
- 1 key switch
- 1 ON indicator light (for active 230V output)
- 1 230VAC output on safety terminals 4mm
- 3 230V electrical sockets (2P+E)

Dimensions : 420 x 400 x 900mm.
Power cord of 10 meters (plug 2P+E).
For custom-made outputs, please contact us.

ref. ALM-PCA

